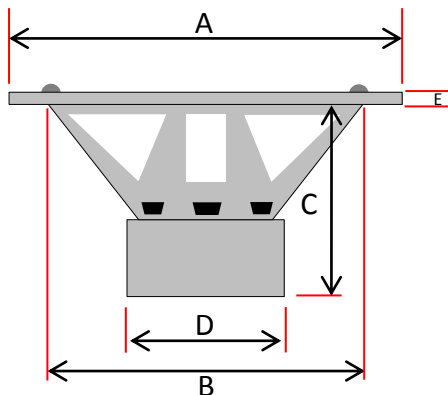




TECHNICAL SPECIFICATIONS

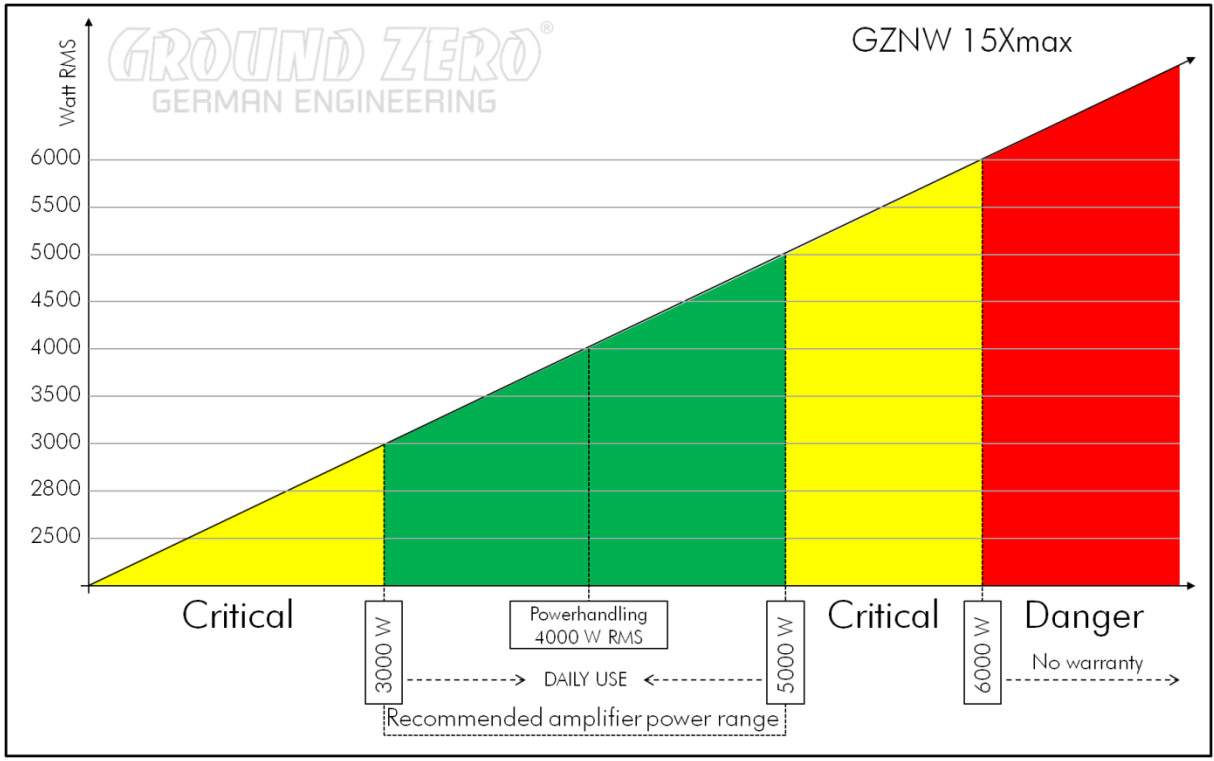
Product name	GZNW 15Xmax	Gasket	-
Product type	Subwoofer chassis	Terminal	10 mm ² / 7 AWG wire
Diameter	392 mm / 15.43"	Power handling	4000 WRMS
Mounting diameter	358 mm / 14.09"	Impedance	2 x 1 Ohm
Mounting depth	285 mm / 11.22"	Re	2 Ohm
Magnet dimension	3x 250 x 18 mm	Res	32.24 Ohm
Total weight	37.5 KG	FS	29.5 Hz
Voice coil diameter	75 mm / 3" round wire	Qms	5.13
Voice coil winding height	60 mm / 2.36"	Qes	0.352
Voice coil wire material	CCA	Qts	0.33
Voice coil former material	Aluminum	Rms	20.8 kg/s
Top plate height	35 mm / 1.38"	Cms	0.05 mm/N
Linear excursion (one direction)	12.5 mm / 0.5"	Mms	575.2 gr
Effective Xmax	60 mm / 2.36"	BL	25.9 N/A
Top Plate and T-Yoke color	Black machined	SPL (1w/1m)	87 dB
Basket material	Aluminum cast	VAS	35.72 L / 1.26 cu.ft
Basket color	Red	Le	2.179 mH
Spider	4x Progressive Nomex	Recommended freq. response	20 – 60 Hz
Surround	High roll 3-layer sandwich foam	Recommended amplifier power	3000 – 5000 WRMS @20hm / 0,5 Ohm
Cone	Aluminum	Sound Quality	☺☺☺☺ (max. ☺☺☺☺☺☺)
Dustcap	Aluminum	SPL Competition	☺☺☺☺ (max. ☺☺☺☺☺☺)
Magnetcover	Rubberboot	Low bass performance 20-50Hz	☺☺☺☺☺☺ (max. ☺☺☺☺☺☺)
		Mid bass performance 50-80Hz	☺☺☺☺ (max. ☺☺☺☺☺☺)



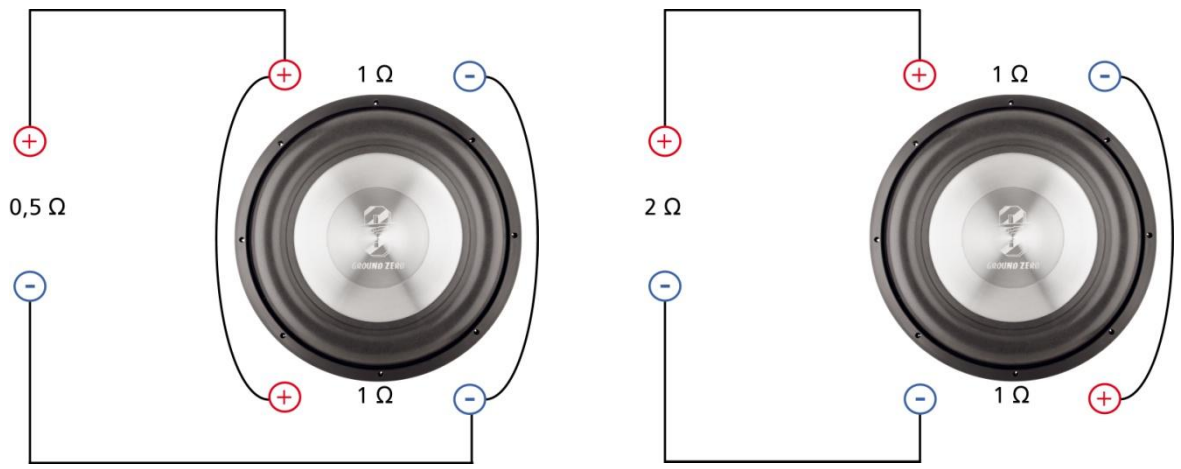
A	392 mm / 15.43"
B	358 mm / 14.09"
C	285 mm / 11.22"
D	250 mm / 9.8"
E	10 mm / 0.39"



AMPLIFIER RECOMMENDATION



WIRING



BOX RECOMMENDATION

Small size vented box

V: 80 – 100 L / 2.82 – 3.53 cu.ft

D: 400 cm² / 62 inch²

L: 940 mm / 37"

No damping

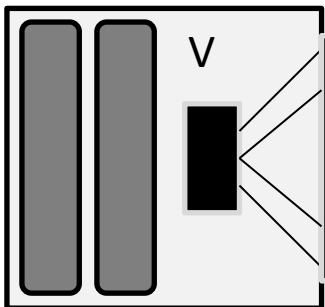
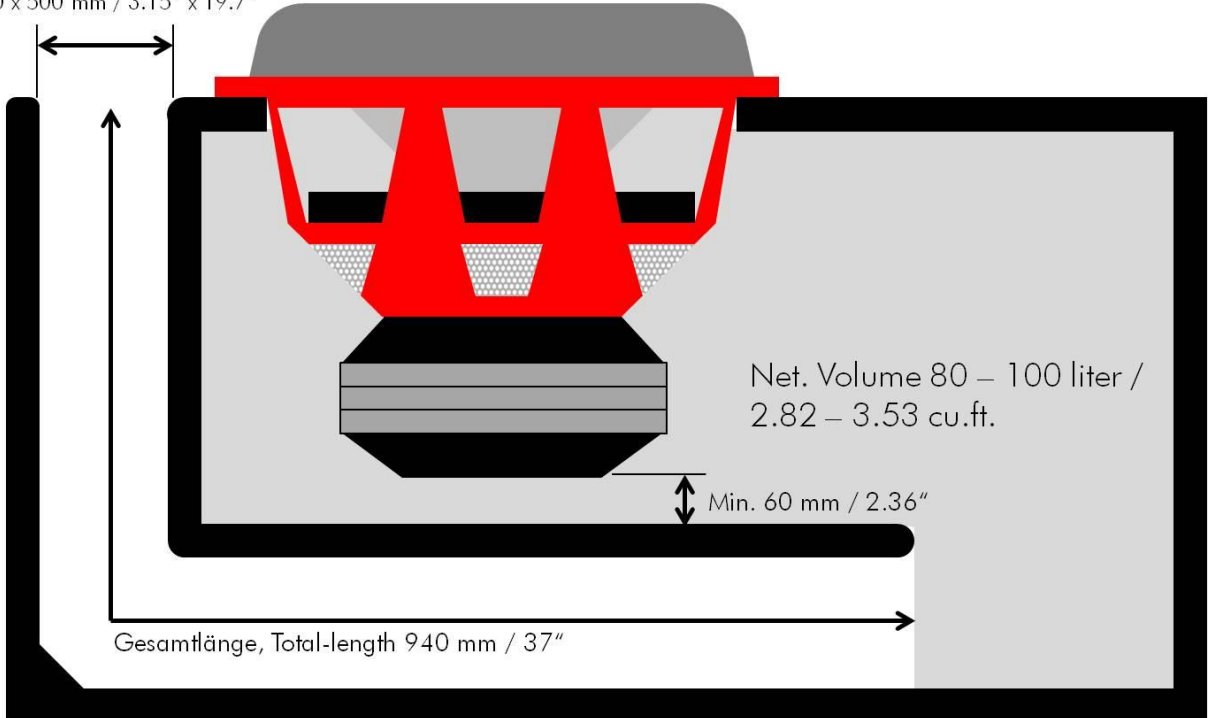
~ 400cm² / 62 inch²

Beispiele / Examples:

- 100 x 400 mm / 4" x 15.7"

- 90 x 450 mm / 3.54" x 17.7"

- 80 x 500 mm / 3.15" x 19.7"



Small size sealed box

40 L / 1.41 cu.ft

Qtc 0.45

40 - 60% polyester wool

Die hier aufgeführten Gehäusevorschläge sind nur einige, der möglichen Varianten.

Bitte beachten Sie zudem, dass die finale Abstimmung, speziell die Port Längen je nach Fahrzeug und eigenem Geschmack variiert werden sollte.

Above-mentioned enclosure recommendations are just a few possible variations.

Please note that you should find the perfect tuning, especially port length, based on your car and own taste.



BOX RECOMMENDATION



Curve	Type	Volume	F3/ Qtc
Red	Vented	80 L / 2.82 cu.ft	30 Hz
Blue	Vented	100 L / 3.53 cu.ft	28 Hz /
Black	Sealed	40 L / 1.41 cu.ft	72 Hz (F6: 45 Hz) / 0.45

Die hier aufgeführten Gehäusevorschläge sind nur einige, der möglichen Varianten.
 Bitte beachten Sie zudem, dass die finale Abstimmung, speziell die Port Längen je nach Fahrzeug und eigenem Geschmack variiert werden sollte.
*Above-mentioned enclosure recommendations are just a few possible variations.
 Please note that you should find the perfect tuning, especially port length, based on your car and own taste.*

