

IK W12-DVC2



IMPACT

K-SERIES

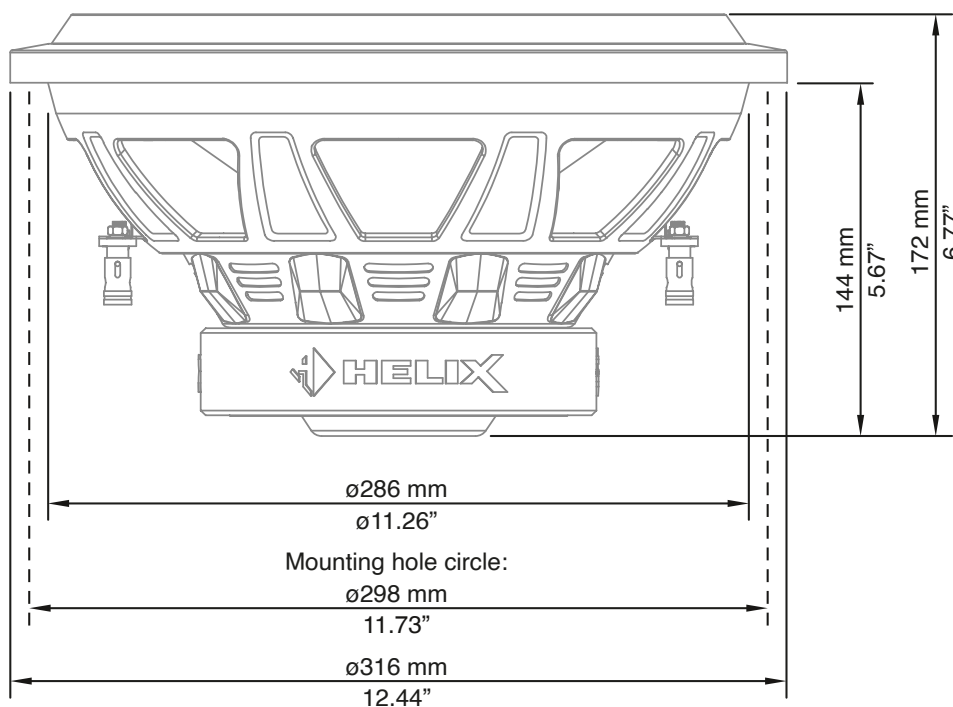
300MM / 12INCH
2x2Ω SUBWOOFER
FOR COMPACT ENCLOSURES



- 2 x 2 Ohms dual voice coil for flexible system configuration
- Extremely stiff, hand-scooped paper cone for outstanding impulse response
- Double ventilated voice coil for minimum compression effects and high power handling
- Long-excursion rubber surround for highest mechanical rating
- Solid push terminals
- Powerful magnet system for compact enclosures
- Rugged magnet cover with HELIX lettering for perfect magnet protection
- Grille and gasket included in delivery

Dimensions

Abmessungen



Technical data

Technische Daten

Power handling Belastbarkeit	RMS	300 W
	Max.	600 W
Impedance Impedanz	Z	2 x 2 Ω
DC resistance Gleichstromwiderstand	Re	2 x 1,6 Ω
Resonance frequency Resonanzfrequenz	Fs	32 Hz
Mechanical Q factor Mechanische Güte	Qms	3,70
Electrical Q factor Elektrische Güte	Qes	0,46
Total Q factor Gesamtgüte	Qts	0,41
Compliance Nachgiebigkeit	Cms	179 μm/N
Equivalent air volume Äquivalentvolumen	Vas	66 L
Force factor Kraftfaktor	B*I	13,7 Tm
Sensitivity Wirkungsgrad	SPL	93 dB @ 2,83V / 1m 90 dB @ 1W / 1m
Cone area Membranfläche	Sd	515 cm²
Moving mass Bewegte Masse	Mms	134 g
Mechanical resistance Mechanischer Widerstand	Rms	7,33 kg/s
Voice coil diameter Schwingspuldurchmesser	Ø	50,8 mm
Voice coil winding height Schwingspulenwickelbreite		24 mm
Max. linear excursion Max. linearer Membranhub	Xmax	+/- 8 mm

Enclosure recommendations

Gehäuseempfehlungen

Sealed box

Geschlossenes Gehäuse

Net volume Nettovolumen	22 L
Lower limiting frequency (-3dB) Untere Grenzfrequenz (-3dB)	40 Hz
Recommended DSP settings Empfohlene DSP-Einstellungen	Highpass: "Self-Define" 37 Hz / Q = 1,6; EQ Filter: 90 Hz / Q=1,5 / -3 dB

Vented box

Bassreflex-Gehäuse

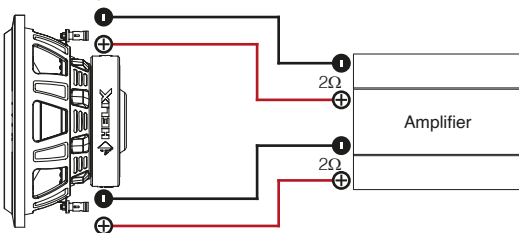
Net volume Nettovolumen	30 L
Port diameter Reflex-Kanaldurchmesser	Ø 100 mm
Port area Reflex-Kanallfläche	78 cm²
Port length Reflex-Kanallänge	28 cm
Port tuning frequency Tunnelabstimmungsfrequenz	Fb 39 Hz
Lower limiting frequency (-3dB) Untere Grenzfrequenz (-3dB)	39 Hz
Recommended DSP settings Empfohlene DSP-Einstellungen	Highpass: "Self-Define" 36 Hz / Q = 1,3; EQ Filter: 100 Hz / Q=0,85 / -2 dB

Wiring configurations

Anschluss

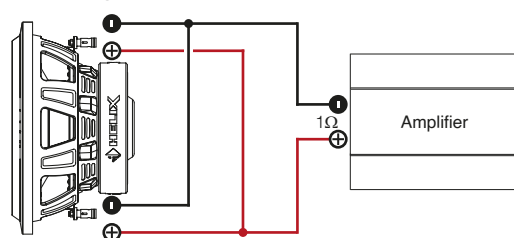
2 x 2 Ω configuration on two amplifier channels

2 x 2 Ω Konfiguration an zwei Verstärkerkanälen



1 x 1 Ω configuration on one amplifier channel

1 x 1 Ω Konfiguration an einem Verstärkerkanal



1 x 4 Ω configuration on one amplifier channel

1 x 4 Ω Konfiguration an einem Verstärkerkanal

