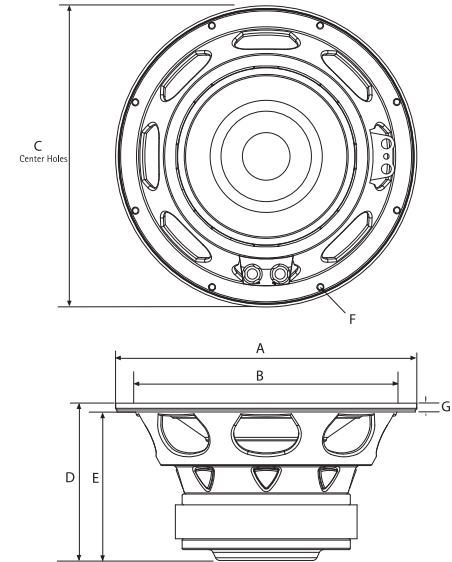


Primo Specifications

General data		PRIMO 8	PRIMO 10	PRIMO 12
Overall Dimensions	D	∅ 223mm (8.77")	∅ 263 mm (10.53")	∅ 305 mm(12")
Power Handling RMS	P	250 W	300 W	350 W
Transient power 10ms		500 W	600 W	700 W
Sensitivity 2.83Vrms/1M		89 dB	90 dB	91 dB
Frequency Response		25-900 Hz	22-900 Hz	20-900 Hz
Cone Material		Laminated paper	Laminated paper	Laminated paper
Net Weight		3.86 KG (8.5 lbs)	4.56Kg (10.05 lb)	4.7Kg.(10.36 lb)
Driver displacement		2.0 Lit (0.07cu.ft)	2.34 Lit (0.08 cu.ft)	2.6 Lit (0.09 cu.ft)
Voice Coil and Magnet Parameters				
Voice Coil Diameter		51 mm (2")	51 mm (2")	51 mm (2")
Voice Coil Height		24mm (0.94")	24mm (0.94")	24mm (0.94")
Voice Coil Former		Aluminum	Aluminum	Aluminum
Voice coil wire		Copper	Copper	Copper
Number of layers		2	2	2
Max. Linear excursion	X	± 8 mm (0.3") (Each way)	± 8 mm (0.3") (Each way)	± 8 mm (0.3") (Each way)
Magnet system type		High grade ferrite	High grade ferrite	High grade ferrite
HE-Magnetic gap height	HE	8mm (0.3")	8mm (0.3")	8mm (0.3")
Electrical Data				
Nominal Impedance	Z	4.0 Ohm	4.0 Ohm	4.0 Ohm
DC Resistance	RE	3.0 Ohm	3.0 Ohm	3.0 Ohm
T-S Parameters				
Suspension Compliance	CMS	0.19	0.27	0.28
Mechanical Q Factor	QMS	4	3.1	3.1
Electrical Q Factor	QES	0.70	0.68	0.56
Total Q Factor	QTS	0.60	0.56	0.47
Mechanical Resistance	RMS	4.6	5	6
Moving Mass	MMS	65 gr.	70 gr.	111 gr.
Resonant Frequency	FS	43 Hz	35 Hz	28 Hz
Eq. Cas Air Load (liters)	VAS	13.5 Lit (0.47 cu.ft)	38 Lit (1.34 cu.ft)	85 Lit (2.96 cu.ft)
Effective Piston Area	SD	219cm ²	320cm ²	434cm ²

Overall Dimensions



	PRIMO 8	PRIMO 10	PRIMO 12
A	∅ 8.77" (223mm)	∅ 10.53" (263mm)	∅ 12" (306mm)
B	∅ 7.83" (199mm)	∅ 9.17" (233mm)	∅ 10.7" (272mm)
C	∅ 8.34" (212mm)	∅ 9.88" (251mm)	∅ 11.45" (291mm)
D	4.56" (116mm)	5.11" (130mm)	5.62" (143mm)
E	4.33" (110mm)	4.88" (124mm)	5.35" (136mm)
F	∅ 0.196" (5mm)	∅ 0.196" (5mm)	∅ 0.196" (5mm)
G	∅ 0.196" (5mm)	∅ 0.196" (5mm)	∅ 0.255" (6.5mm)



Morel operates a policy of continuous product design improvement, consequently specifications are subject to alteration without prior notice.