



Model: T2652-S

Type: Power 6.5" 2-way componet system

Power Rating: 100 Watts (RMS)

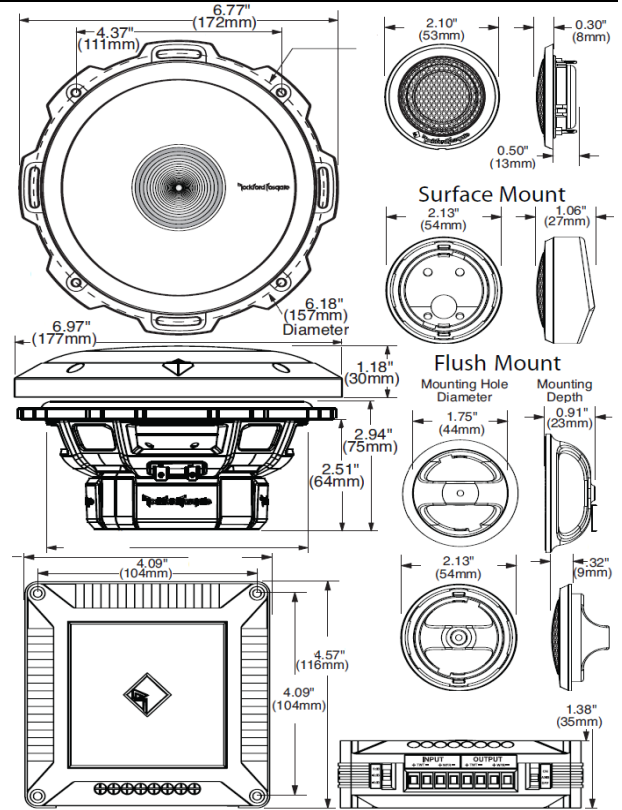
Impedance: 4 ohms

Freq. Response: 55 - 22kHz

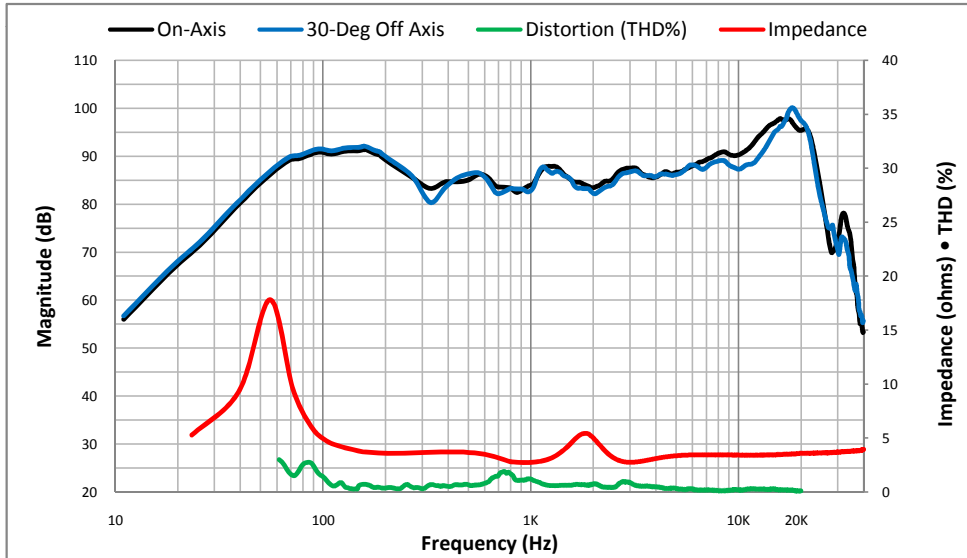


Technical Highlights

- Injection molded carbon fiber reinforced polypropylene cone
- Linear high excursion matched motor magnetic and suspension design
- 1" (25.4mm) Aluminum dome tweeter
- VAST™ Vertical Attach Surround Technique SBR surround
- High temp aluminum voice coil (woofer)
- Fatigue and tear resistant linear poly-cotton spider
- FlexFit™ Mounting slot pattern
- StampCast™ Frame structure
- Multi-OEM™ Adapter plate
- DDC™ Discreet Dual Clamp tweeter mounting system
- 0, -2, -4 dB Tweeter level settings (user selectable)
- Butterworth asymmetrical 18dB/12dB (HP/LP) crossover network
- Flush and surface (angled) mounting hardware included
- Bi-amp switching (user selectable)
- On/off axis setting (user selectable)
- Grilles and mounting hardware included



SPL (1W1M) • Impedance



Frequency response includes summed Far-Field and Near-Field IEC60268-5 baffle measurements.

Thiele-Small Specifications (woofer)

- Fs (Hz): 55
- Re (Ohms): 3.4
- Le (mH): 0.24
- Qts: 0.51
- Qes: 0.65
- Qms: 2.43
- Cms (mm/N): 0.60
- Vas (L): 17.59
- Mms (g): 13.9
- Mmd (g): 12.9
- Rms (kg/s): 1.97
- Airload (g): 0.97
- No (%): 0.43
- SPL (dB - 1W/1M): 89.5
- BL (T*M): 5.0
- *Xmax₁₀ (mm): 6.6
- Sd (cm²): 143
- EBP: 84.615
- Krm (mOhms): 0.0020
- Erm: 0.75
- Kxm (mH): 0.0082
- Exm: 0.65
- Rem (Ohms): 0.0014

* All parameters are derived using a laser velocity measurement method and verified with actual measured Mmd and Re. Xmax₁₀ represents actual effective excursion at <10% THD.

Technical Specifications

Voice Coil Diameter:	1.2	31	inches mm
Voice Coil Height:	0.38	9.6	inches mm
Voice Coil Layers:	2		layers
Magnetic Gap Height:	0.16	4.0	inches mm
Linear Excursion, pk-pk (Xmax):	0.21	5.2	inches mm
Maximum Excursion, pk-pk:	0.29	7.40	inches mm
Magnet Weight:	11.16	0.32	oz. kg
Woofer Displacement:	0.43	0.02	liters cubic ft.
Net Weight:	9.40	4.26	lbs. kg
Power Rating:	100	200	RMS Peak