

manufactured for



A Division of CHPW  
Friedrich-Ebert-Str. 42  
D-92637 Weiden / Germany

[www.u-dimension.eu](http://www.u-dimension.eu)



**ELEMENT**

**OWNER'S MANUAL**

**Models: EL COAX 4 / EL COAX 5 / EL COAX 6 / EL COAX 693**

**Introduction**

Congratulations on your purchase of 1/2 Dimension ELEMENT series Automotive Loudspeakers! They have been built to meet the same rigorous standards of construction and performance that have long established our renowned home and professional speaker systems.

This manual has been designed to make ELEMENT Automotive Loudspeaker installation and ownership as trouble-free as possible. Please read through this manual completely before attempting any installation steps and familiarize yourself with your new speaker system.

You will need your purchase receipt as proof of purchase for any and all warranty repairs and for insurance purposes. Keep your receipt, owner's manual, and packing materials in a safe location for possible future use.

**Pre-Installation Instructions**

It is recommended that you have your new ELEMENT Automotive Loudspeakers professionally installed by your authorized ELEMENTdealer. This will ensure the use of proper installation techniques and materials, and will save much time and effort. If you choose to perform your own installation, the following instructions will give you ELEMENT direction toward making your purchase complete. Read the following information and precautions carefully. **Failure to follow the stated precautions may result in personal injury and/or damage the audio system or vehicle.**

A. Always make sure the speaker will easily fit into the intended mounting location and that there is adequate cavity depth to accept the magnet structure.

B. Check for adequate clearance between speaker and window, window crank, power window mechanism, seat, glove box, rear deck torsion bars, and other items which may interfere with the speaker's mounting. This is especially important if any hole cutting is required. Complete speaker, mounting size and depth requirements can be found at the end of this manual. A good way to confirm speaker placement on a door or body panel is to place the speaker's die cast mounting ring onto the surface. Check for a flat mounting surface, free from all obstruction.

C. The method of installation chosen and level of execution will effect the overall performance of the speaker system. Treat each installation step with a high degree of attention.

D. Do not mount the speaker where water may splash the woofer cone. A plastic cup or some heavy gauge plastic sheeting may be needed in some locations that are exposed to moisture from behind the body panel.

E. Care must be taken to prevent low frequency cancellation caused by air leakage between the front and rear of the speaker (such as when mounted on a curved or uneven surface, or when mounted in an oversized hole).

F. Mounting panel reinforcement may be necessary in some cases in order to prevent surface flex. This can be achieved by mounting the speaker on a metal or wooden sub-baffle behind the body or door panel. Consult an installation specialist for further direction.

G. Unless you are replacing existing speakers of same size, mounting locations will have to be cut into the doors, bodypanels, or rear deck. In some cases speaker mounting holes will be precut in the doors, body panels, or rear deck steel. Due to their structural integrity and accessibility. These precut mounting holes should be used whenever possible.

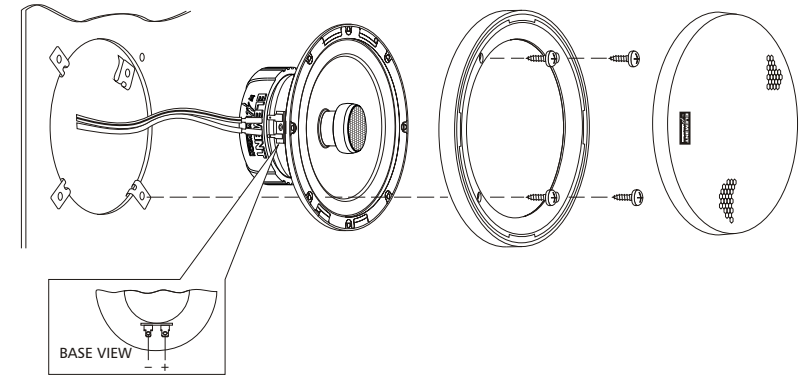
**IMPORTANT: Never cut any metal that is an integral part of an automobile's safety or structural support system.**

**ELEMENT Speaker Installation**

**NOTE:** ELEMENT Strongly recommends that you operate the complete audio system at low volume before final installation of your ELEMENT Automotive Loudspeakers. This will allow a trial listening test before securing the loudspeakers into their mounting locations.

**CAUTION:** Make sure that all speaker wiring is fully protected from cutting or wear. Any short circuits developing as a result could severely damage the radio /cassette unit or amplifier. Make sure that all speaker wires easily reach the speaker terminals with stress on the wire or connectors.

**Woofer Installation**



**Specifications:**

- High performance PP cone, 2 way car Hi-Fi coaxial speaker
- Woofer: Euro DIN stamped basket, P.P. cone rubber surround, high grade magnet with magnet rubber cover
- Midrange: 50mm Mylar cone with strontium magnet
- Tweeter: 19mm Silk dome neodymium magnet

Generalization:

	EL COAX 4	EL COAX 5	EL COAX 6	EL COAX 693
Woofer Size	100mm	130mm	165mm	165x228mm
Woofer V.C. Diameter	25mm	25mm	25mm	25mm
Tweeter V.C. Diameter	19mm	19mm	19mm	25mm
System Impedance	4ohms	4ohms	4ohms	4ohms
Power Handling (RMS)	35W	45W	55W	80W
Power Handling (Max)	70W	90W	110W	160W
Frequency Response	100-20k Hz	80-20k Hz	65-20k Hz	50-20k Hz
Sensitivity	88dB (1W/m)	89dB (1W/m)	90dB (1W/m)	91dB (1W/m)